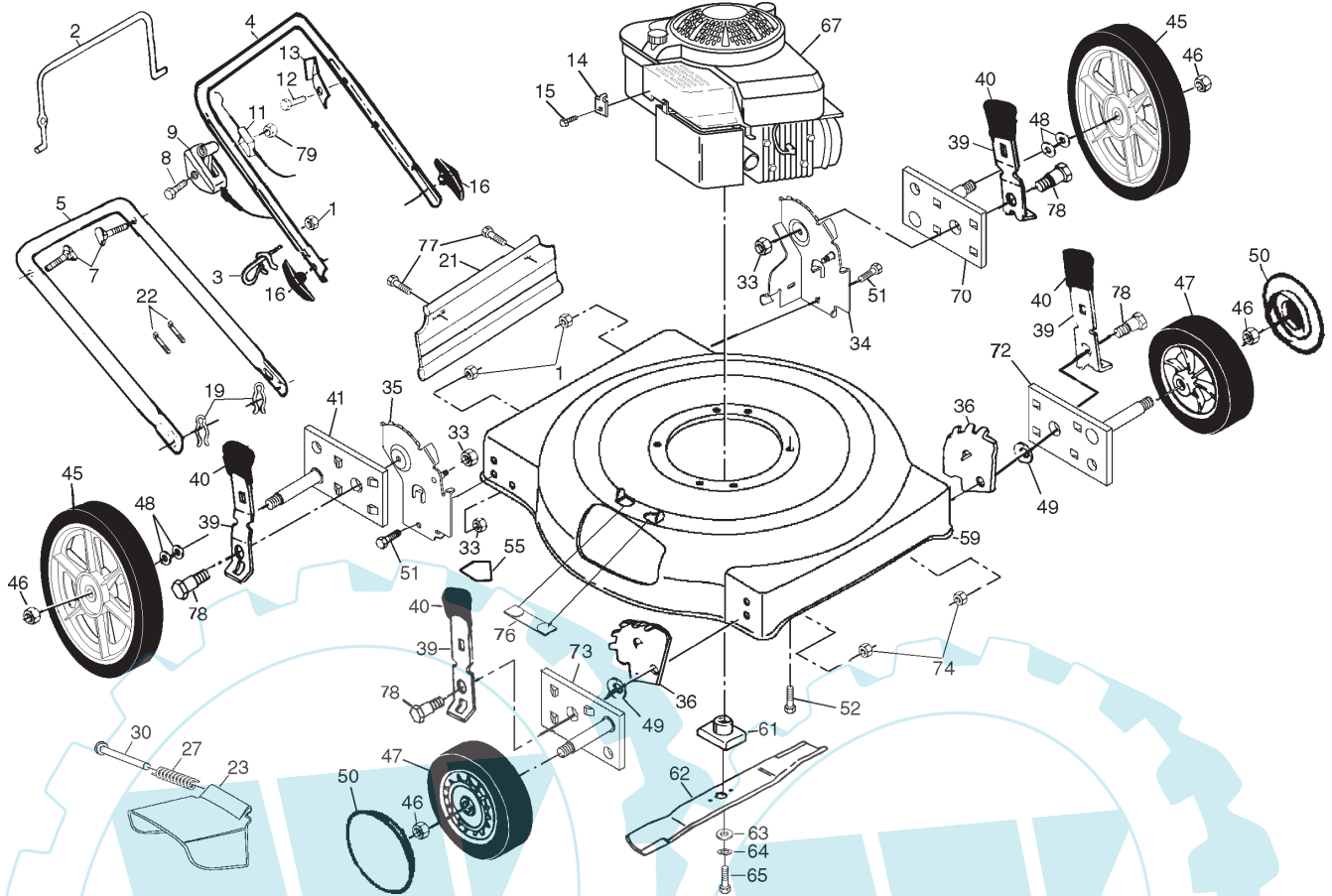


REPAIR PARTS MANUAL
MODEL NO. JR55N22SHC
Rotary Lawn Mower

PARTNER

PARTNER

ROTARY LAWN MOWER -- MODEL NUMBER JR55N22SHC



ROTARY LAWN MOWER -- MODEL NUMBER JR55N22SHC

KEY PART NO. NO. DESCRIPTION

1	532 06 36-01	Locknut 1/4-20
2	532 08 69-02	Control Bar
3	532 17 95-85	Rope Guide
4	532 17 42-06	Upper Handle
5	532 17 42-91	Lower Handle
7	532 13 19-59	Handle Bolt 5/16-18
8	532 14 49-29	Hex Washer Head Screw 1/4-20 x 2-1/8
9	532 70 04-17	Throttle Control
11	532 13 08-61	Engine Zone Control Cable
12	532 75 00-97	Hex Washer Head Screw #10-24 x 1/2
13	532 12 51-62	Up-Stop Bracket
14	532 11 11-90	Cable Clamp
15	532 08 38-16	Screw #10 x 5/8
16	532 13 63-76	Handle Knob
19	532 05 17-93	Hairpin Cotter
21	532 16 58-58	Rear Deflector
22	532 06 64-26	Wire Tie
23	532 16 08-31	Discharge Guard
27	532 16 08-32	Torsion Spring
30	532 16 08-33	Hinge Rod
33	532 06 31-24	Locknut 5/16-18
34	532 17 44-13	Wheel Bracket Support (Left)
35	532 17 44-14	Wheel Bracket Support (Right)
36	532 16 57-04	Wheel Bracket Adjuster
39	532 16 85-99	Selector Spring
40	532 08 78-77	Selector Knob
41	532 18 36-62	Axle Arm Assembly (RR)
43	819 11 22-06	Washer
45	532 18 02-06	Wheel Assembly (Rear)

KEY PART NO. NO. DESCRIPTION

46	532 08 39-23	Locknut 1/16-18
47	532 14 62-47	Wheel Assembly (Front)
48	532 05 71-43	Washer
50	532 07 74-00	Hubcap
51	874 76 05-14	Hex Head Bolt 5/16-18
52	532 15 04-06	Hex Head Thread Rolling Screw 3/8-16 x 1
55	532 14 18-46	Danger Decal
59	532 17 42-66	Lawn Mower Housing (Incl. Key Nos. 55)
61	532 85 15-14	Blade Adapter
62	532 14 11-14	22" Blade
63	532 85 10-74	Hardened Washer
64	532 85 02-63	Helical Lockwasher 3/8
65	532 85 10-84	Screw Hex Head 3/8-24 x 1-3/8 (Grd. 8)
67	---	Engine - Briggs & Stratton Model No. 12H802 (Order parts from engine manufacturer)
70	532 18 36-61	AxleArm Assembly (LR)
72	532 16 86-05	AxleArm Assembly (LF)
73	532 16 86-04	Axle Arm Assembly (RF)
74	532 75 11-53	Nut
76	532 16 16-22	Clip, Closeout
77	874 76 04-12	Screw
78	532 16 08-28	Shoulder Bolt
79	532 13 20-04	Nut, Hex 1/4-20
--	532 16 10-58	Warning Decal (Not Shown)
--	532 17 27-82	Operator's Manual (English)
--	532 17 27-84	Operator's Manual (Spanish)
--	532 18 36-53	Replacement Parts Manual

NOTE: All component dimensions given in U.S. inches.
1 inch = 25.4 mm